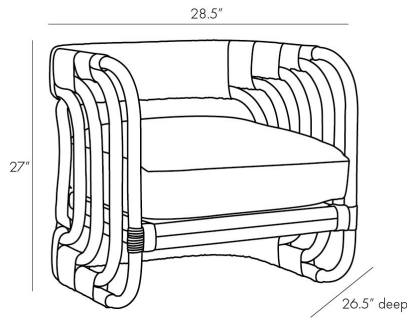


ARTERIOS

HAMZA CHAIR



5662

H: 27 IN, W: 28.5 IN, D: 26.5 IN

Marshmallow Texture

Contract Recommendations: Adding a lacquer coating provides additional pro-

Concentric layers of thick, palm gray rattan poles frame the foundation of the elegantly eccentric and wildly organic chair. The rounded arms seamlessly flow into a tightly wrapped pencil rattan back that sits low for maximum support. A marshmallow texture plush cushion completed the seat for extreme comfort and functionality. Its natural esthetic allows this piece to easily blend with existing décor. Finish will vary.

APPEARANCE

Material	Rattan, Texture
Finish	Marshmallow, Palm Gray
Finish Will Vary	true
Top Coat/Sealant	false

DIMENSIONS

Foot Print	W: 28.5 IN, D: 26.5 IN
Clearance	8 IN
Seat Cushion Thickness	8 IN
Seat Height	19 IN
Seat	W: 24 IN, D: 26 IN

SHIPPING

Shipping Requirements	TruckShip
Product Weight	50.3 LBS
Gross Weight 1	61.73 LBS
Gross Weight 2	4 LBS
Shipping Box 1	H: 30.25 IN, L: 31.75 IN, W: 30.75 IN
Shipping Box 2	H: 10 IN, L: 28 IN, W: 26 IN

CONTRACT

Contract Suitable	Adding a lacquer coating provides additional protection
Fabric Composition	70.95% Poly (UV) 26.71% PCR Poly 2.34% PIR Poly
Fabric Double Rub Count	60,000
Fabric Compliancy	NFPA-260, TB117-2013
Contract Textile Suitability	High Traffic/Public Spaces
Swatch Number	X63SW, X638x8